

## SW Series

# Seawater Desalination RO Membrane Elements

### Description

SW Series Seawater Desalination RO Membrane Elements are aromatic polyamide composite membrane elements suitable for seawater desalination. The seawater RO membrane elements increase the water production by optimizing the structure of the RO membrane. Under the same water production requirements, the number of desalination RO membrane elements used is reduced, and operating pressure is low. The equipment investment is small, the desalination performance is good and stable. In particular, high desalination rate of seawater RO membrane elements can ensure that the seawater can obtain drinking water and industrial water after the first-level reverse osmosis. The seawater RO membrane elements are suitable for the treatment of seawater and high-concentration brackish water.



### Features

- Seawater RO elements are high and stable desalination rate
- Seawater RO membrane are high pressure resistance and anti-pollution
- Suitable for desalination of raw water with a salt content of 15000-40000ppm
- Widely used in seawater desalination and high-salt wastewater reuse treatment
- Desalination RO elements work in low operating pressure, saving RO system cost

### Application

- Seawater desalination
- Industrial water treatment
- Landfill leachate treatment
- Brackish water desalination
- Power plant boiler make-up water
- Food and drug wastewater recycling

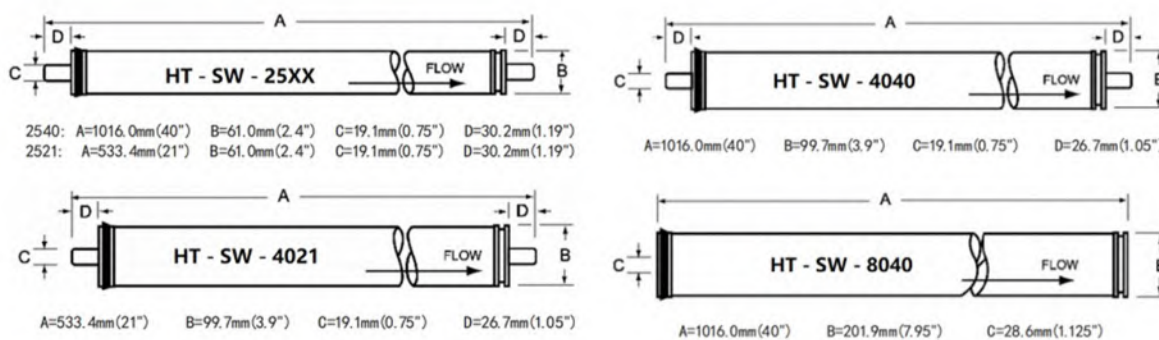
### Specification

Model	SW-2521	SW-4021	SW-2540	SW-4040	SW-8040
Effective Membrane Area ft <sup>2</sup> (m <sup>2</sup> )	12 (1.1)	800 (3.02)	28 (2.6)	80 (7.4)	380 (35.2)
Average Water Production GPD (m <sup>3</sup> /d)	250 (0.95)	750 (2.84)	600 (2.3)	1600 (6.1)	6800 (25.7)
Stabilized Desalination Rate %	99.5	99.5	99.5	99.5	99.7
Minimum Desalination Rate %	99.3	99.3	99.3	99.3	99.5
Membrane Media	Aromatic Polyamide				
Construction	Spiral Wound				
Test Pressure	800psi (5.5Mpa)				
Test Water Temperature	25 °C				
PH Value of Test Solution	7.5				
Test Solution Concentration (NaCl)	32800ppm				
Recovery Rate of Single RO Element	18% (Model: 8040/4040/2540) 4% (Model: 4021/2521)				

### Operation Data

Production floating range	±15%
Maximum feed water temperature	45°C
Maximum feed water SDI15	5
Maximum influent turbidity NTU	1
Maximum residual chlorine concentration	0.1ppm
Maximum Operating pressure	1000psi (6.9Mpa)
Maximum pressure drop of single membrane element	10psi(0.07Mpa)-Model: 4021/2521 15psi(0.1Mpa)-Model: 8040/4040/2540
PH value range of feed water during continuous operation	3~10
PH value range of feed water during chemical cleaning	2~12
Maximum feed water flux	6gpm(1.4m <sup>3</sup> /h)-Model: 2521, 2540 16gpm(3.6m <sup>3</sup> /h)-Model: 4021, 4040 75gpm(17m <sup>3</sup> /h)-Model: 8040

### Tech Support



### Order Information

Hongtek	SW Series Seawater Desalination RO Membrane Elements	Membrane Element Diameter	Length of Membrane Element
HT	SW	25 = 2.5"	21 = 21"
		40 = 4"	
		80 = 8"	40 = 40"

For example:

HT-SW-4040

Hongtek - SW Series Seawater Desalination RO Membrane Elements - Diameter: 4" - Length: 40"

Disclaimer:

The information and data provided here are in good faith and in lieu of all warranties. All warranties, express or implied, including warranties of merchantability and fitness for a particular purpose, are hereby disclaimed and excluded. The use conditions and methods of our products are beyond our control. Hongtek will not be liable for the results or damages arising from the use of such information and data. It is the responsibility of the user to determine the suitability of Hongtek's products for their specific purposes.

