



PBS Series

PPH Plastic Industrial Basket Strainer

Description



PBS Series PPH Reinforced Plastic Basket Strainer Filter Housing is constructed of Polypropylene Homopolymer reinforced polypropylene material, which is one-piece injection molding, no seams, no dead ends, easy to clean, good sealing with strict leak-proof design. PPH plastic industrial basket strainer is available in different size flange DN32, DN40, DN50, DN65, DN80, DN100 to meet customer's various flow capacity requirement. The inside perforated basket with filter bag traps the unwanted material while allowing the process media to flow freely. Moreover, changing the filter bag or cleaning the plastic strainer basket is very quick and easy. With advantages of high temperature and high pressure resistance, acid and alkali resistance. Hongtek PPH industrial plastic basket strainer is ideal for protecting pumps, valves, filters, nozzles or other liquid control devices in corrosive or non-corrosive fluid systems.

Features

- All molded construction, without welding, never side leakage
- Wide range rating of filter bag is available for strainer basket depending on filtration requirement
- Quick installation, easy to remove cover and basket make bag change-out quick, clean and simple
- Superior chemical resistance, never rust or corrode and never compromise the quality of the process fluid
- Durable, corrosion resistance design compensated for field where stainless steel strainer basket cannot be used

Specification

Housing Material	PPH (Polypropylene Homopolymer)
Housing Direction	Vertical
Basket Strainer Size	280 x 510mm
Number of Bag	Single
Housing Thickness	25mm
Filtration Rating	1µm - 5000µm
Connection	Side Port
Inlet/Outlet Type	Flange
Inlet/Outlet Size	DN32, DN40, DN50, DN65, DN80, DN100
Sealing Type	Screwing Cap Type
Seal Material	Viton

Application

- Petrochemical
- Chemical Industry
- Sea Water Desalination
- Industrial Water Treatment
- Brackish Water Prefiltration
- Power Plant Water Treatment

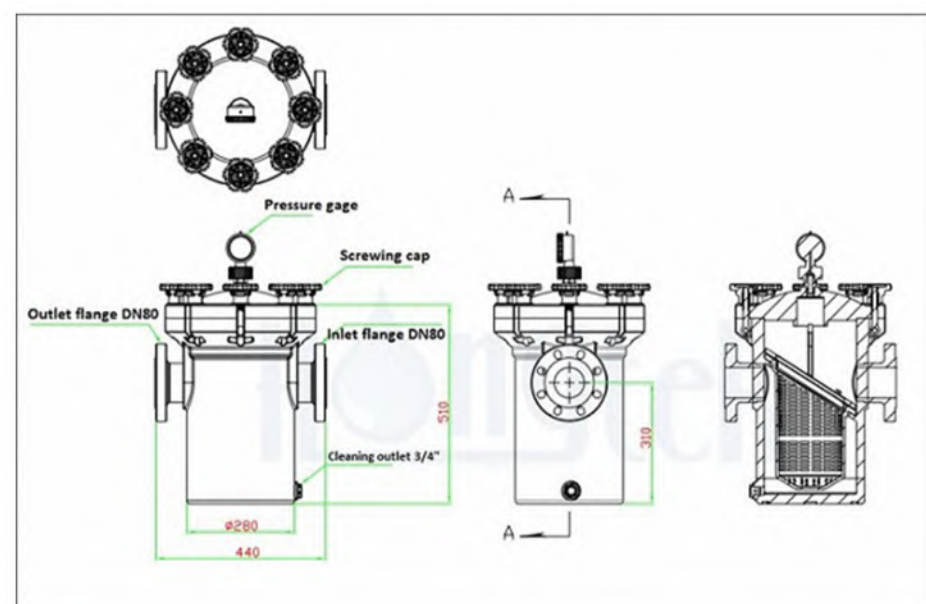
Operation Data

Max. Temperature	90°C
Max. Pressure	145psi (10bar)
Liquid Flow Direction	Side in and side out
Max. Flow Rate (eg. Municipal Water)	DN40: 25m ³ /h
	DN50: 40m ³ /h
	DN65: 65m ³ /h
	DN80: 100m ³ /h
	DN100: 160m ³ /h

The working flow rate is related to the concentration of the liquid medium, the amount of impurities, the rating of the filter bag and the pump pressure etc.

Tech Support

Drawing of PPH Plastic Industrial Basket Strainer



Order Information

PBS	Basket Strainer Dimensions	Number of Bag	Inlet/Outlet Size (Flange)
PBS Series PPH Plastic Industrial Basket Strainer	A = 280 x 510mm	1 = 1pc	N32 = DN32
			N40 = DN40
			N50 = DN50
			N65 = DN65
			N80 = DN80
			N100 = DN100

For Example:

PBS-A-1-N65

PBS Series PPH Plastic Industrial Basket Strainer - 280 x 510mm - 1pc - DN65

Hongtek Filtration Co., Ltd.

Tel: +86-752-2203959, Fax: +86-752-2203820

Web: www.hongtekfiltration.com, Email: sales@hongtekfiltration.com

Address: T21 Creative Industrial Park, No.21, Yunshan East Rd, Jiangbei, Huizhou, Guangdong, China

